

## NeoTAG® Flag FG5242

### Miniaturised RFID TAG for object identification

This type of the proven NeoTAG® product range shows a completely new housing concept. The NeoTAG® Flag FG5242 enables this miniaturised HF RFID transponder to be attached to any object using standard cable ties – ideal if you need to identify something without drilling holes.

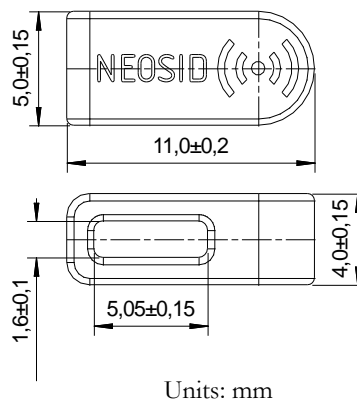
The transponder perfectly combines its exceptional reading and programming properties with the advantages of the rugged NeoTAG® RFID transponder and tool-free attachment technology. Alternatively, additional attachments such as round wires and stranded wires can also be used, e.g. for sealing of objects.

With its outer dimensions of 11 x 5 x 4 millimetres (LxWxH), the NeoTAG® Flag FG5242 is particularly low in height. This reduces the transponder space requirements to a minimum and allows it to be compactly attached to the labelled objects.

The innovative housing type of this flag transponder allows labelling of metallic and non-metallic objects with only one single version.



NeoTAG® Flag FG5242



All information is subject to change. Errors and omissions excepted. No responsibility is taken for correctness. Errors and amendments reserved.

## Technical data:

Item number:	00704090 (with NXP ICODE SLIX) for metallic <u>and</u> non-metallic objects
Material:	PPA GF30, cyan blue, other colours upon request
HF RFID protocol:	ISO 15693
Chip:	NXP ICODE SLIX. SLIX2 and others upon request
User data memory:	896Bit. Larger memory with other chips.
Frequency:	13.56 MHz
Reading range:	up to 100mm (depends on reader and read antenna)
Operating temperature:	-40°C to +85°C (for reading and writing function)
Storage temperature:	-10°C to +40°C
Special ambient temperatures:	+180°C (up to 90 hours/14 cycles) +200°C (up to 5 hours/100 cycles)
Weight:	0.26 g/piece

## Characteristics:

- Contactless, maintenance-free RFID communication without wear and tear
- Fault-free identification compared to conventional marking methods
- For tool-free attachment using cable ties up to 4.8mm wide and wires up to 1.3mm thick
- Attachment of an HF RFID transponder without the object being modified
- Readable using standard RFID readers with min. 200mW output power
- Reusable many times with new cable ties, e.g. for changing colours
- Protection class IPX8: continuous immersion in water
- Vibration resistant
- High mechanical abrasion resistance
- Resistant against a large number of chemical substances
- IC with password protection and encrypted protocol on request
- Customer-specific logo and colour on request
- Customer-specific programming on request
- **NFC Forum Type 5 TAG**
- FDA-compliant plastic housing on request
- RoHS-compliant, REACH-compliant

## Application areas:

- Inventory and product traceability in production, service and maintenance
- Non-damaging tube, hose and cable management
- Identification of hazardous substances and valuables
- Equipment and resource monitoring and tool management
- Labelling metallic and non-metallic objects



Application example: NeoTAG®Flag FG5242 with a cable tie on a high-pressure hose

## Packaging:

VPE 500 pcs as bulk goods. Other packaging on request.

All information is subject to change. Errors and omissions excepted. No responsibility is taken for correctness. Errors and amendments reserved.